

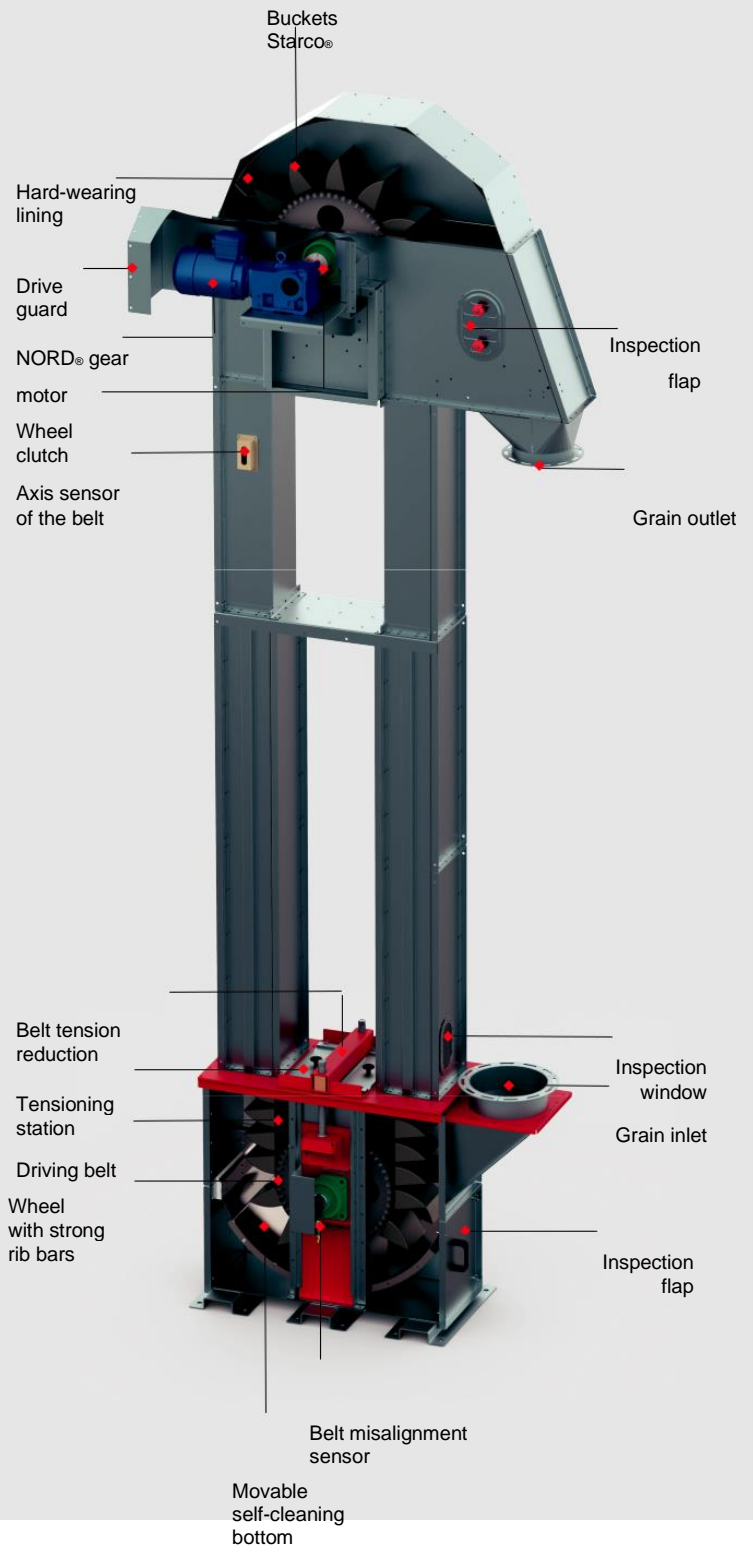
BUCKET ELEVATOR

silos



The Bucket elevators are designed for the vertical transport of all grains, seeds, granulated products and other loose materials with a maximum diameter 16 mm and a maximum moisture content of 25%. Bucket elevators are available in 3 sizes with high capacity conveying designed for high capacity conveying – up to 200 m³/h. Max length up to 30 m.

- Made entirely of constructional galvanized steel
- Wheel with rib bar
- Self-cleaning foot equipped with movable bottom
- High quality bearings, easy to maintain
- Areas subject to abrasion are protected with hard-wearing lining
- The elevator is bolted with galvanized screws with a hardness of 8.8
- The NORD gear-motor is enclosed in a head cover to protect it from weather conditions
- Properly profiled pulley prevents the belt from rubbing against the channel walls. A unique solution that causes the self-alignment of the belt on the wheel
- Wide belt adjustment, allowing its precise tension
- Robust and precise, laser-cut elements of the drive and tension wheel ensures long service life, failure-free and low wearing of the belt
- Optimal belt speed guarantees both gentle treatment of the grain and adequate ejection force during seed delivery. Equipped with reliable STARCO steel buckets with high durability. The screws of the buckets eliminate the possibility of unscrewing any of bucket from the belt
- Optional equipment with: motion detector, belt linearity sensor and foot overloading sensor, service platform and a support tower



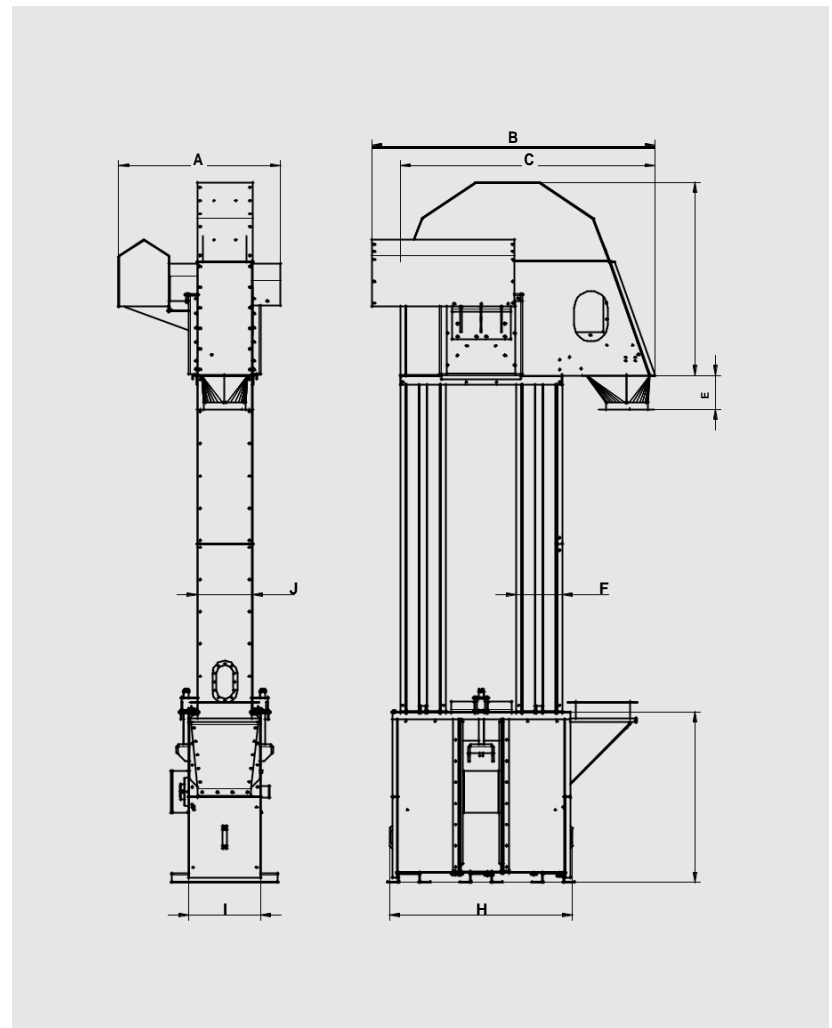
BUCKET ELEVATOR

silos

DIMENSIONS

	PPK 10/40 [mm]	PPK 60/100 [mm]	PPK 100/160 [mm]
A*	892	966	1272
B	1167(-)	1686	2038
C	1167	1516	1688
D	927	1150	1617
E	202	202	252
F	204	274	370
G	1044	1016	1208
H	790	1090	1088
I	247	430	400
J	240	330	402
Reinforced channel			
F	204	242	333
J	240	324	390

*max dimension



TECHNICAL DATA

Model	Capacity [t/h]	Processing output [m ³ /h]	Max total height [m]	Belt speed [m/s]	Outlet dimension [mm]
PPK 10	10	13	35	3,1	Ø 200
PPK 20	20	26	35	3,1	Ø 200
PPK 30	30	40	35	3,1	Ø 200
PPK 40	40	53	35	3,1	Ø 200
PPK 60	60	80	35	3,1	Ø 250
PPK 60	60	80	43	3,1	Ø 250
PPK 80	80	107	43	3,1	Ø 250
PPK 100	100	133	43	3,1	Ø 250
PPK 120	120	160	43	3,1	Ø 330
PPK 150	150	200	43	3,1	Ø 330

¹⁾ Capacity is given for wheat with a density of 760 kg/m³

The manufacturer reserves the right to make technical changes